



# MILTECH™ 8P

A Rugged Tactical USB Charger

## PRODUCT DESCRIPTION

Techaya MILTECH™ 8P is a Rugged Tactical 8 Ports USB Charger.

Due to the increase in use of USB based electronic devices such as Smart phones, Tablets, PDA's in many military applications, there is a constant need to charge these devices in battlefield environments,

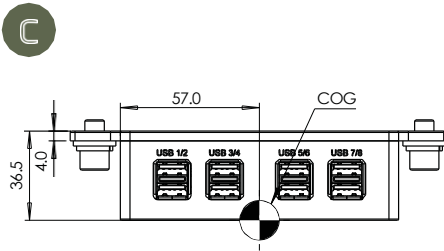
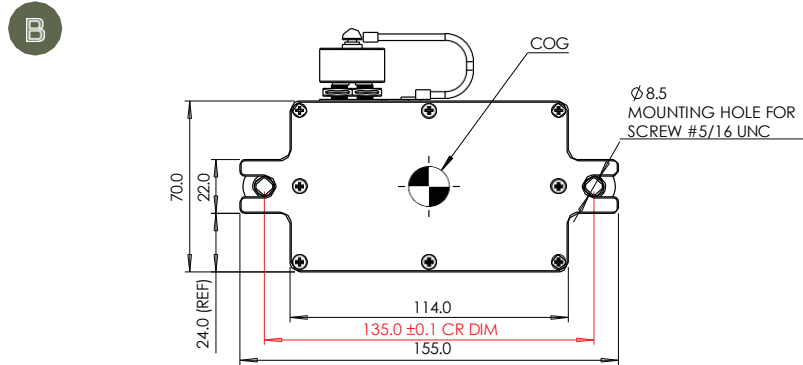
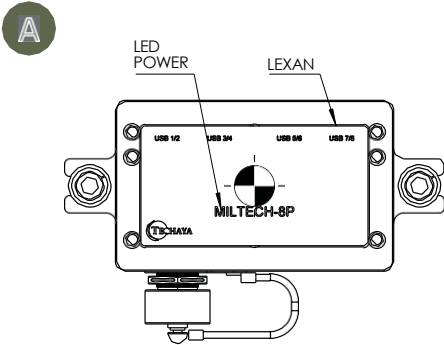
such as ground combat vehicles, using standard charging cables.

The rugged MILTECH 8P mounted inside ground combat vehicles, can charge up to 8 USB based electronic devices simultaneously while providing 5Vdc, 2A per port.

### SPECIFICATIONS

<b>CONNECTORS:</b>	<ul style="list-style-type: none"> <li>Power – D38999/24WA98PA</li> <li>USB Connector – UJ2-ADH-1-TH (Standard USB inlet)</li> </ul>
<b>CHASSIS:</b>	<ul style="list-style-type: none"> <li>Low profile rugged machined aluminum</li> <li>Conductively cooled</li> <li>Ingress protection against sand, dust</li> </ul>
<b>VOLTAGE</b>	<ul style="list-style-type: none"> <li>24Vdc Nominal (9-36Vdc)</li> <li>MIL-STD-1275 for power input</li> <li>Short circuit protection per port</li> </ul>
<b>PERFORMANCE:</b>	<ul style="list-style-type: none"> <li>Charging Capabilities: 2A/5V per port</li> </ul>
<b>POWER:</b>	<ul style="list-style-type: none"> <li>Power Consumption: 80W maximum at full load</li> <li>Chassis Grounding</li> <li>Power LED</li> </ul>
<b>PHYSICAL:</b>	<ul style="list-style-type: none"> <li>Dimensions: 114mm (L) x 95mm(W) x 36.5mm(H) including Power connector &amp; dust cap</li> <li>Dimensions: 4.49"(L) x 3.74"(W) x 1.44"(H) including Power connector &amp; dust cap</li> <li>Weight - 300g, including dust cap</li> <li>IP51</li> <li>Design to meet MIL-STD-810 and MIL-STD-461</li> </ul>
<b>INSTALLATION:</b>	<ul style="list-style-type: none"> <li>2 x Mounting hole for Screw # 5/16 UNC</li> </ul>
<b>COOLING:</b>	<ul style="list-style-type: none"> <li>No moving parts. Passive cooling</li> </ul>
<b>OPERATING TEMP:</b>	<ul style="list-style-type: none"> <li>-45°C to +85°C (-49°F to +185°F). Cold Start-Up</li> </ul>
<b>STORAGE TEMP:</b>	<ul style="list-style-type: none"> <li>-45°C to +85°C (-49°F to +185°F)</li> </ul>





\*All measurements are in millimeters

## ORDERING INFORMATION

PARTNUMBER	DESCRIPTION
1-8P-000	<ul style="list-style-type: none"> <li>Tactical 8 ports USB charger</li> </ul>